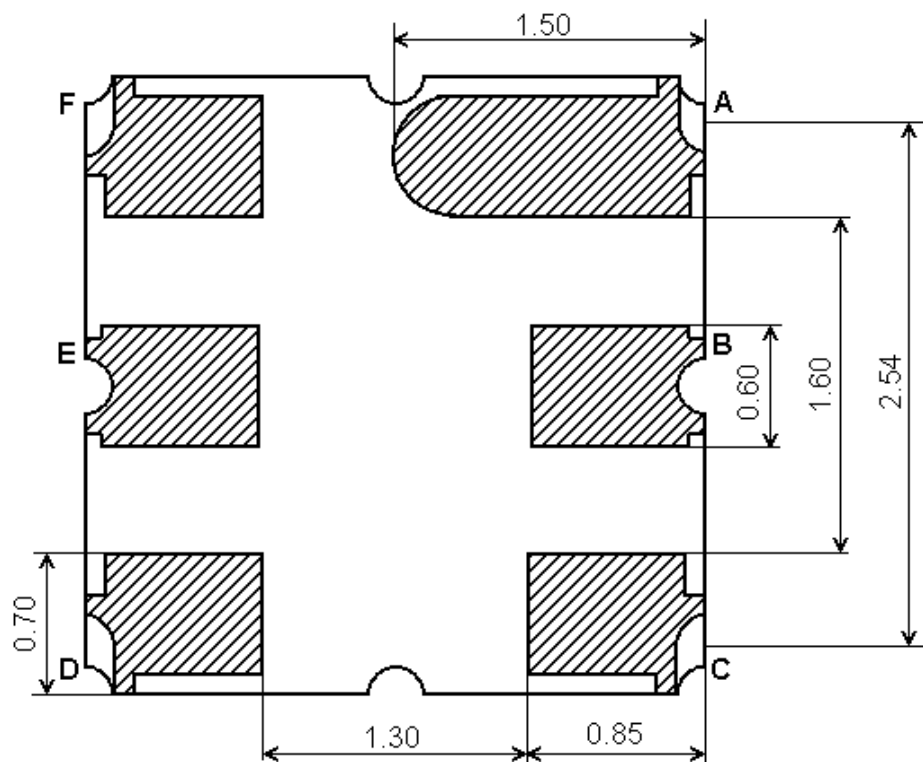
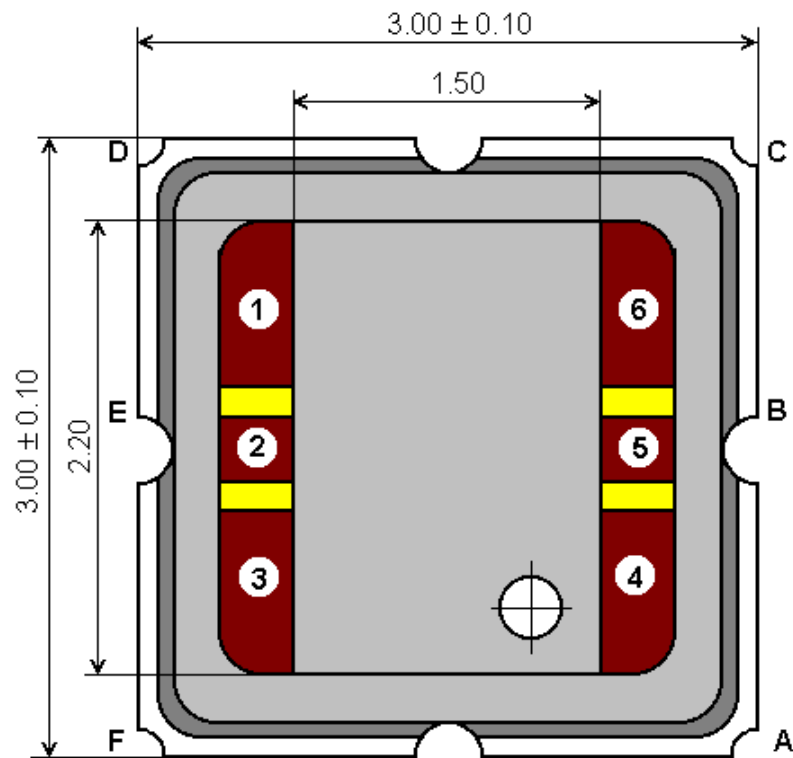


Package SMD 3.0x3.0x1.4 mm,  
 KD-V99D59, KYOCERA, Japan



Connection:

(2-E),(5-B)  
 (1-3-4-6-A-C-D-F)-S/R-D/A